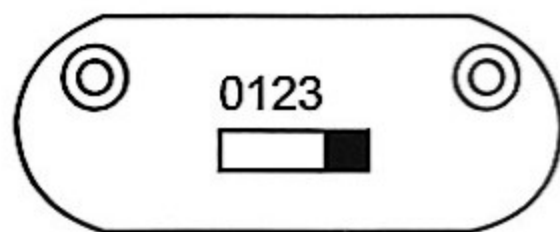
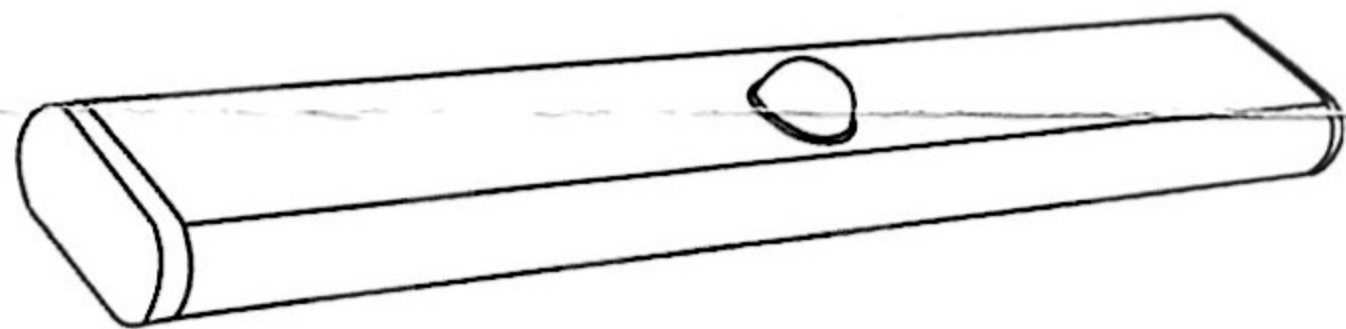
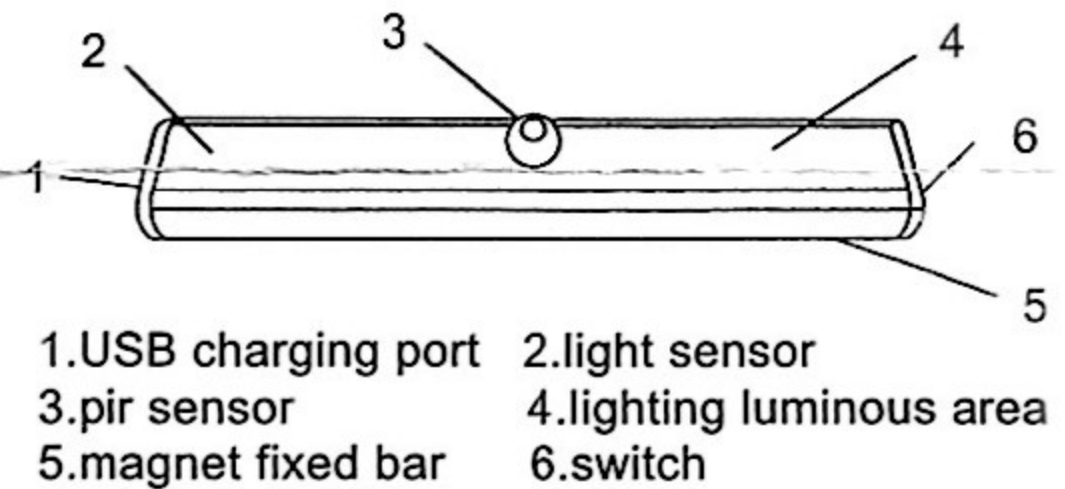


Products description

This PIR motion sensor light turn on automatically when it detects motion from 2-5m. Lights turn off automatically 15 seconds later if no motion detected. Apply for cabinet, wardrobe and corridor.

1. it can detect the motion of people, and turn on automatically when you passing by & turn off after leaving in detecting area.
2. Automatic light Sensing, if the light sensor detects enough brightness, it will not turn on even detected the motion of human.
3. Automatic sensor mode: the products will not turn off until people leave away.
4. Long service time: Led usage time up to 100000 hours.
5. Constant Lighting: can be used as a flash light or emergency lighting for 3 hours with full charge.



- 0 : Turn off
- 1 : Sensor mode
- 2 : Constant lighting
- 3 : Sensor mode 1/2

Cautions

1. Never install this light in the place which is damp and with high temperature, which may affect the normal working of the light.
2. Never install the light in the strong light in case affecting the sensitivity or disoperation
3. When LED getting dimming, please recharge

Fixing instructions

